

Hydro-Pneumatic Tool for Versa-Nut® Blind Threaded Inserts

74405 Series

Features

- Tool specific for Versa-Nut® inserts
- Split tool
- Lightweight placing head

Benefits

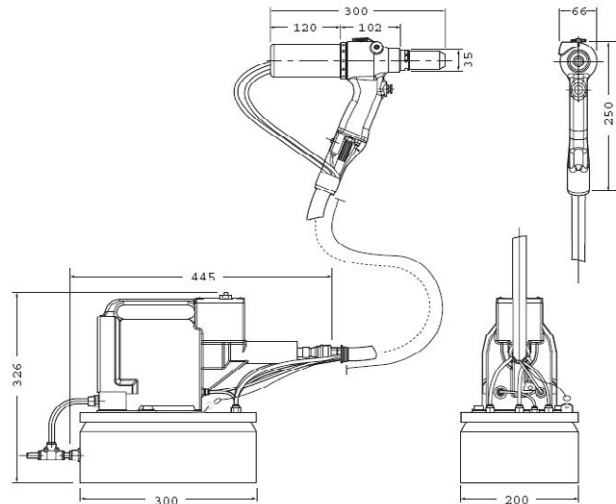
- High placement speed
- Lightweight tool
- Robust tool
- Ergonomic
- Ease of maintenance



Specifications

Head Weight (without nose equipment)	4.4 lbs (2.0 kg)
Pull Force @ 5.5 bar	3,111 lbf (13.84 kN)
Stroke (max.)	0.63 in (16 mm)
Air Supply Pressure	5 – 7 bar
Free Air Volume @ 5.5 bar	15 litres
Noise Level	<75 dB(A)
Vibration	<2.5m/s ²

Dimensions (mm/inches)



Placing Capability

Versa-Nut® threaded inserts M4 to M10.
For detailed information on placing capability and nose equipment please refer to the tool manual on our website or contact your local STANLEY Engineered Fastening representative.

STANLEY
Engineered Fastening

www.StanleyEngineeredFastening.com

© 2015 Stanley Black & Decker, Inc., Rev. 02a.2008

Avdel USA LLC
614 NC Highway 200 South
Stanfield, North Carolina 28163
Tel. +1 704 888-7100 · Fax -0258
infoAvdel-USA@sbdinc.com

Avdel Canada Limited
1030 Lorimar Drive
Mississauga, Ontario L5S 1R8
Tel. +1 905 364-0664 · Fax -0678
infoAvdel-Canada@sbdinc.com

Avdel® and Versa-Nut® are trademarks of Avdel UK Limited. POP® is a trademark of Emhart Teknologies.
Data shown is subject to change without prior notice as a result of continuous product development and improvement policy.
Your local STANLEY Engineered Fastening representative is at your disposal should you need to confirm latest information.