

Features

- Ergonomic design, lightweight tool
- Intensifier made integral to the hand tool
- Can be suspended (optional)
- Use hydraulic for placing fasteners (reduced shock loads)
- Utilizes standard 7530 nose equipment
- Can place the same range of fasteners as 7530 tool
- Specially toughened plastic body and heavy duty rubber base
- Integral cycle counter

Benefits

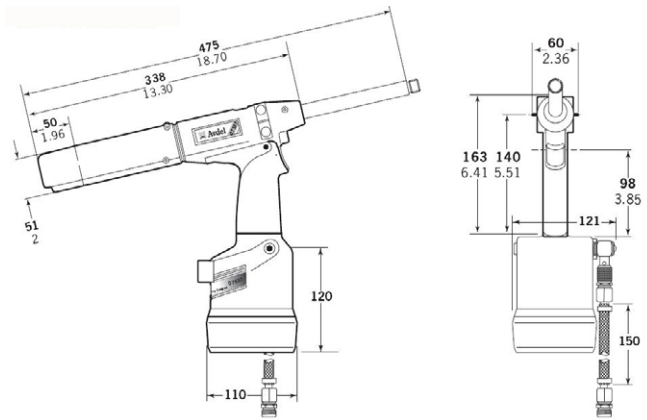
- Reduced operator fatigue, increased productivity
- No need for long umbilical
- Reduced setting time
- Ease of maintenance
- Increased impact resistance and durability



Specifications

Weight	4.85 lbs (2.2 kg)
Pull Force	875 lbf (3.89 kN)
Stroke	1.18 ins (30 mm)
Cycle Time	1.0 sec
Air Supply Pressure	5 – 7 bar
Free Air Volume @ 5.1 bar	2.6 litres
Noise Level	< 70 dB(A)
Vibration	< 2.5 m/s ²
Cycle counter	Yes
Intensification ratio	37:1

Dimensions (mm/inches)



Placing Capability

The 7537 placing tool can place the whole range of Speed Fastening® fasteners from diameter 3/32" (2.4 mm) to 1/4" (6.4 mm).

For detailed information on placing capability and nose equipment please refer to the tool manual or contact your local STANLEY Engineered Fastening representative.

STANLEY
Engineered Fastening

Avdel USA LLC
614 NC Highway 200 South
Stanfield, North Carolina 28163
Tel. +1 704 888-7100 · Fax -0258
infoAvdel-USA@sbdinc.com

Avdel Canada Limited
1030 Lorimar Drive
Mississauga, Ontario L5S 1R8
Tel. +1 905 364-0664 · Fax -0678
infoAvdel-Canada@sbdinc.com

www.StanleyEngineeredFastening.com

© 2014 Stanley Black & Decker, Inc., Rev. 08.2013

Avdel® and Speed Fastening® are trademarks of Avdel UK Limited. POP® is a trademark of Emhart Teknologies. Data shown is subject to change without prior notice as a result of continuous product development and improvement policy. Your local STANLEY Engineered Fastening representative is at your disposal should you need to confirm latest information.