

Features

- Lightweight, ergonomically designed tool
- Toughened plastic body and heavy duty rubber base
- High speed placement
- Integrated cycle counter
- Can be suspended
- Can also place a wide range of breakstem rivets with optional equipment

Benefits

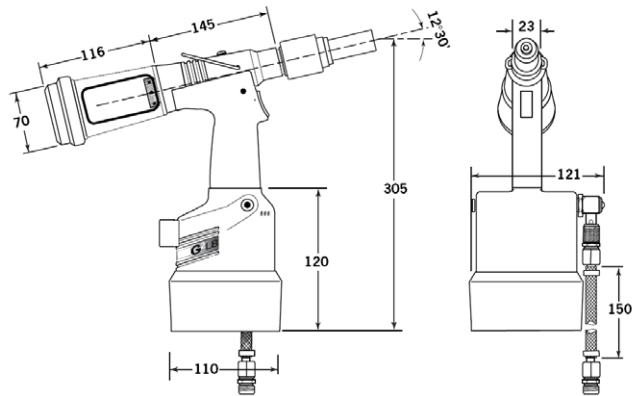
- Reduced operator fatigue
- Robust and durable tool
- Increased productivity
- Stroke counter indicates accurate service intervals
- Flexible in production

Specifications

Weight (incl. nose equipment)	5.29 lbs (2.4 kg)
Pull Force @ 5.5 bar	2,803 lbf (12.47 kN)
Stroke (min.)	0.51 in (13 mm)
Cycle Time (approx.)	1.0 sec
Air Supply Pressure	73-101 psi (5-7 bar)
Free Air Volume @ 5.5 bar	2.1 litres
Noise Level	75 dB(A)
Vibration	< 2.5 m/s ²



Dimensions (mm)



Placing Capability

Avdelok® lockbolts \varnothing 3/16" (4.8mm) and 1/4" (6.4mm) and Maxlok® lockbolts \varnothing 3/16" (4.8mm).

For detailed information on placing capability and nose equipment please refer to the tool manual or contact your local STANLEY Engineered Fastening representative.