

Installation Tool for Monobolt® Fasteners & Lockbolts

7287 Model

Features

- Hydro-pneumatic split tool for Monobolt fasteners and lockbolts
- Extended stroke and pull force
- Installation of large fasteners with single pull action
- Short cycle time
- Lightweight placing head
- Remote intensifier mounted on castors
- 118.11 in (3 m) hose length
- Wide choice of directly interchangeable 73200 model nose assemblies to suit the access restrictions of the application



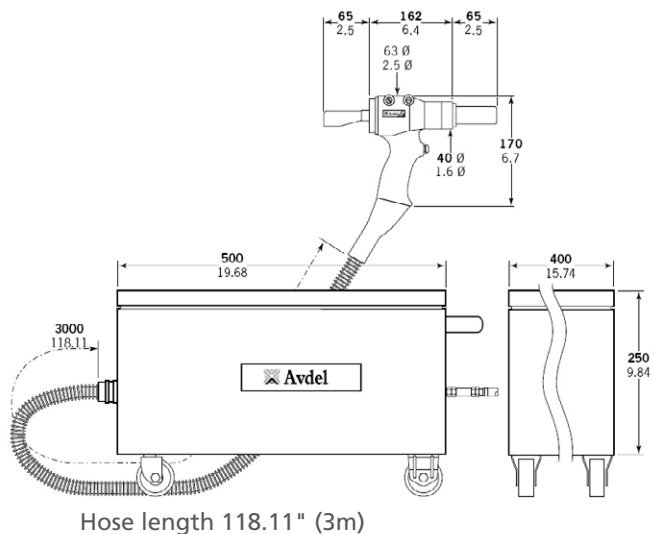
Benefits

- Places a wide range of fasteners in one stroke
- Does not require second actuation (two pulls)
- High placement speed
- Can offer labour cost savings
- Can increase assembly capacity
- Reduces operator fatigue
- Flexible use in the assembly line
- Can be fitted with a collar cropper to remove installed Avdelok lockbolts
- Reduced noise output during fastener installation

Specifications

Pistol Weight (without equipment)		3.23 lbs (1.47 kg)
Pistol Weight (with equipment)		< 5.51 lbs (2.5 kg)
Total weight (without equipment)		88 lbs (40 kg)
Pull Force @ 79.7 psi (5.5 bar)		7284 lbf (32.4 kN)
Stroke	min. under load	1.14" (29 mm)
	free cycling	1.26" (32 mm)
Cycle Time (approx.)		1.7 sec
Air Supply Pressure		72.5 - 101.5 psi (5 - 7 bar)
Free Air Volume @ 79.7 psi (5.5 bar)		3.5 litres
Noise Level		75 dB(A)
Vibration		<8.2 ft/s ² (2.5 m/s ²)

Dimensions (mm/inches)



Placing Capability

Avdelok®, Avtainer® and Monobolt® fasteners up to 3/8" (10 mm), NeoBolt® lockbolts 3/8" (9.6 mm) Avbolt® fasteners up to 5/16" (8 mm) and all other lockbolts up to 5/16" (8 mm).
 Avseal® II sealing plugs up to ø14 mm.

For detailed information on placing capability and nose equipment please refer to the tool manual or contact your local STANLEY Engineered Fastening representative.