

1	FAM400-365	1
2	DPM400-067	1
3	DPM400-366	1
4	DPM400-363	1
5	DPM400-367	1
6	DPM400-362	1
7	FAM400-080	1
8	DPM400-077	1
9	DPM400-079	1
10	DPM400-361	1
11	DPM400-078	1
12	DPM400-090	1
13	DPM400-072	1
14	DPM400-073	1
15	DPM400-091	1
16	DPM400-369	1
17	DPM400-370	1

PNT 110 M	M3	FAM400-284	FAM400-288
	M4	FAM400-285	FAM400-289
	M5	FAM400-286	FAM400-290
	M6	FAM400-287	FAM400-291

TK, TL & TH SERIES ONLY

PNT 110 IP	6-32unc	FAM400-300	FAM400-403
	8-32unc	FAM400-302	FAM400-404
	10-24unc	FAM400-304	FAM400-405
	10-32unf	FAM400-402	FAM400-405
	1/4-20unc	FAM400-306	FAM400-406

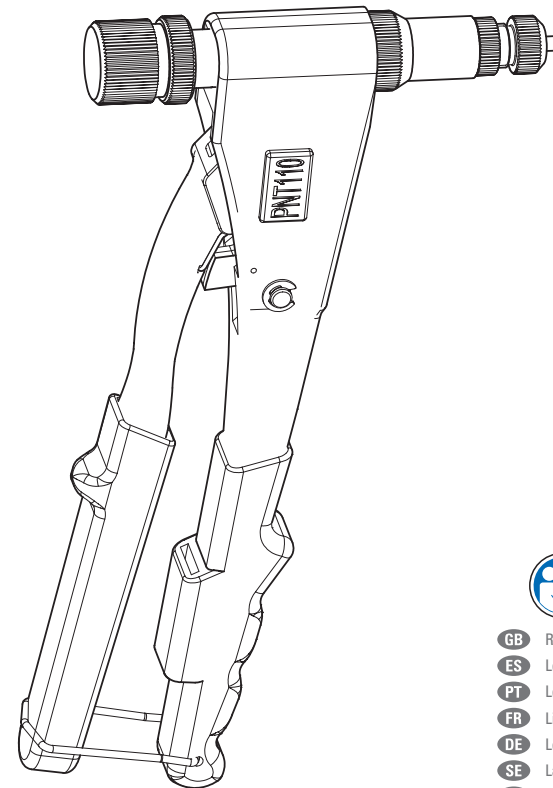
Additional nosepieces are available – refer to www.emhart.com

POP Nut™ PNT110

Hand Plier Tool

- ES** Remachadora Tipo Alicate
- PT** Ferramenta Manual Tipo Alicate
- FR** Pince à main pour inserts
- DE** Handzange
- SE** Sortimentslåda med handverktyg
- DK** Sortiments boks
- FI** Sisäkierreniittipihdit
- JP** プライヤー式ポップナットツール

POP®



		Aluminium	Steel	Stainless Steel
PNT 110 M	M3	✓	✓	✓
	M4	✓	✓	✓
	M5	✓	✓	✓
	M6	✓	✓	✓

		Aluminium	Steel	Stainless Steel
PNT 110 IP	6-32unc	✓	✓	✓
	8-32unc	✓	✓	✓
	10-24unc	✓	✓	✓
	10-32unf	✓	✓	✓
	1/4-20unc	✓	✓	✓



- GB** Read the Manual
- ES** Leer el Manual
- PT** Leia o manual
- FR** Lire le manuel
- DE** Lesen Sie die Betriebsanleitung
- SE** Läs manualen
- DK** Læs manualen grundigt
- FI** Kts. huolto-ohjeet
- JP** 取扱説明書をお読みください。



- Wear Safety Goggles
- Usar Gafas de Seguridad
- Use Óculos de Proteção
- Porter des lunettes de protection
- Tragen Sie eine Schutzbrille
- Använd säkerhetsglasögon (eller glasögon)
- Anvend beskyttelsesbriller
- Käytä suojauslääseja
- 保護めがねを着用してください。

