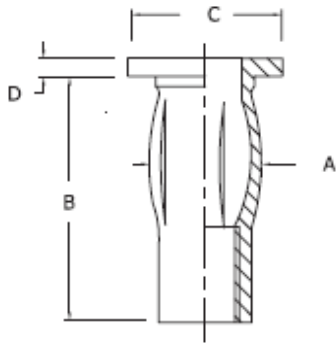
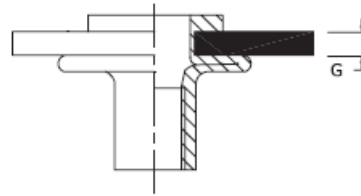


V-N INSERT



MATERIAL: LOW CARON STEEL
FINISH: CLEAR ZINC PLATE



IMPERIAL

ITEM #	THREAD SIZE	GRIP RANGE	HOLE SIZE	A Max	B \pm .015	C \pm .015	D \pm .010
LOCVN-1024-175	10-24	0.020-0.175	0.295	0.294	0.830	0.500	0.040
LOCVN-1024-319	10-24	0.175-0.319	0.295	0.294	0.940	0.500	0.040
LOCVN-420-280	1/4-20	0.020-0.280	0.390	0.385	1.015	0.625	0.059
LOCVN-420-500	1/4-20	0.280-0.500	0.390	0.385	1.250	0.625	0.059
LOCVN-518-280	5/16-18	0.020-0.280	0.500	0.495	1.145	0.750	0.061
LOCVN-518-500	5/16-18	0.280-0.500	0.500	0.495	1.375	0.750	0.061

METRIC

ITEM #	THREAD SIZE	GRIP RANGE	HOLE SIZE	A Max	B \pm 0.35	C \pm 0.35	D \pm 0.15
LOCVN-M5-4.5	M5 x 0.8	0.50-4.45	7.50	7.47	21.05	12.75	0.95
LOCVN-M5-8.1	M5 x 0.8	4.45-8.10	7.50	7.47	23.85	12.75	0.95
LOCVN-M6-7.1	M6 x 1.0	0.50-7.10	8.80	8.79	25.80	15.80	1.50
LOCVN-M6-12.7	M6 x 1.0	7.10-12.70	8.80	8.79	31.30	15.80	1.50
LOCVN-M8-7.1	M8 x 1.25	0.50-7.10	11.20	11.1	29.05	19.00	1.55
LOCVN-M8-12.7	M8 x 1.25	7.10-12.70	11.20	11.1	35.05	19.00	1.55

